

BAKO VISION

BHD Series

HD Pixels for Stage
and Fixed Install

TUV EMC Certificated
Both Front and Rear Service Available
High Definition Indoor Display
480mm X 480mm Chassis



Atten: Emma

Email:sales08@bakovisionled.com

Wechat/What's app:86+13417011953



Unsurpassed Color Uniformity

- > Unique color calibration process
- > Tight bin selection for LED wavelength
- > Deep black levels, contrast ratio 4000:1



Fast Installation and Easy Maintenance

- > Truss hanging and ground support both available
- > Cable-less between modules
- > Front and rear access
- > Tools free installation

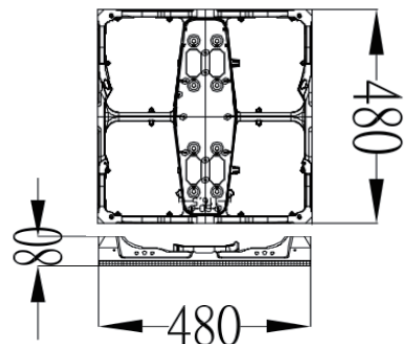


Slim, Light Weight and Quiet

- > 480mmx480mm cabinet
- > 80mm thickness, 7 KG per cabinet
- > Fanless design

Superior Electrical Features

- > Dual signal backup port
- > UI LCD monitoring display indicates the status



BHD / Specifications

	BHD-1.5	BHD-1.8	BHD-2.5	BHD-3
Physical Pitch	1.579 mm	1.875 mm	2.5 mm	3 mm
Pixel Configuration	SMD 1010	SMD 1515	SMD 2121	SMD 2121
Pixel Density	401,956 pixels/m ²	284,444 pixels/m ²	160,000 pixels/m ²	110,889 pixels/m ²
Module Dimensions (W × H) (mm)	240 × 240	240 × 240	240 × 240	240 × 240
Panel Dimensions (mm)	480 × 480 × 80	480 × 480 × 80	480 × 480 × 80	480 × 480 × 80
NO.of Modules Per Panel (W × H)	2 × 2	2 × 2	2 × 2	2 × 2
Physical Resolution of Module (W × H)	152 × 152	128 × 128	96 × 96	96 × 96
Physical Resolution of Panel (W × H)	304 × 304	256 × 256	192 × 192	160 × 160
Panel Material	Die-Casting Aluminum	Die-Casting Aluminum	Die-Casting Aluminum	Die-Casting Aluminum
Single Cabinet Weight	7 kg/panel	7 kg/panel	7 kg/panel	7 kg/panel
Gray Scale	16 bit	16 bit	16 bit	16 bit
Colours	281 trillion	281 trillion	281 trillion	281 trillion
Contrast Ratio	4,000 : 1	4,000 : 1	4,000 : 1	4,000 : 1
Average Power Consumption	258 W /m ²	260 W /m ²	215 W /m ²	235 W /m ²
Max Power Consumptionx	715 W/m ²	690 W/m ²	640 W/m ²	670 W/m ²
Operating Temp/Humidity	-10 C- 60 C / 10% - 60%	-10 C - 60 C / 10% - 60%	-10 C - 60 C / 10% - 60%	-10 C - 60 C / 10% - 60%
Storage Temp/Humidity	-30 C - 60 C / 10% - 60%	-30 C - 60 C / 10% - 60%	-30 C - 60 C / 10% - 60%	-30 C - 60 C / 10% - 60%
Refresh Rate	>2,880 Hz	>2,880 Hz	>2,880 Hz	>2,880 Hz
Brightness	600 - 1,000 nits	600 - 1,000 nits	600 - 1,000 nits	600 - 1,000 nits
Horizontal Viewing Angle	160°	160°	160°	160°
Vertical Viewing Angle	140°	140°	140°	140°
Expected Lifetime	100,000 Hrs	100,000 Hrs	100,000 Hrs	100,000 Hrs
Servicing	Front / Rear	Front / Rear	Front / Rear	Front / Rear
IP Rating (Front/Rear)	IP 40 / IP 21	IP 40 / IP 21	IP 40 / IP 21	IP 40 / IP 21
Scan Method	1/38 Scan	1/38 Scan	1/32 Scan	1/20 Scan

Typical Applications:

- Stage Rental
- Shopping Mall
- DJ Touring
- Theme Resort
- Car Show
- Fashion Store
- House of Worship
- Night Club
- Reception Hall
- Opera House
- Wedding Hall
- Meeting Room